

GENERAL TECHNICAL CHARACTERISTICS

Dielectric : Polypropylene film
 Construction : Extended double side Metallized carrier film with internal series connection and Metallized film
 Case : Self extinguishing plastic UL94V0
 Leads : Tinned insert M6 fillde with resin

ELECTRICAL CHARACTERISTICS

Working temperature : - 40 to + 85 °C
 Capacitance : 6.8 to 500µF
 Rated Voltage : 500VDC~2200Vdc
 Tolerance : ± 5%, ± 10%
 Dissipation factor: Measured at 1000±20 Hz AND 25±5°C.
 When $C_r \leq 1.0\mu F$, 4×10^{-4} ;
 When $C_r > 1.0\mu F$, 6×10^{-4}

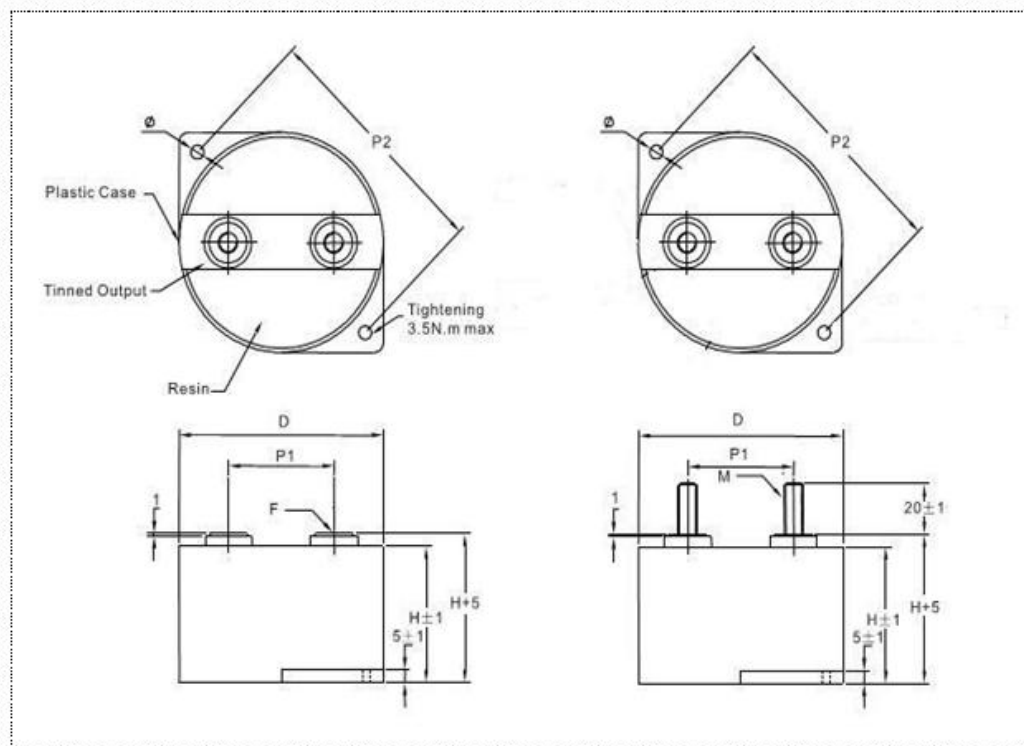
Life expectancy: 100,000 hours at U_n and 70°C
 (Hotspot temperature)

TEST METHODS AND PERFORMANCES

Dielectric strength: 1.5 U_n (DC) applied for 10s at 25±5°C
 (1 minute for type test)
 Insulation resistance : 3000s but need not exceed 30GΩ
 (typical value), after 1 minute of electrification at 100Vdc (25±5°C)



Outline drawing

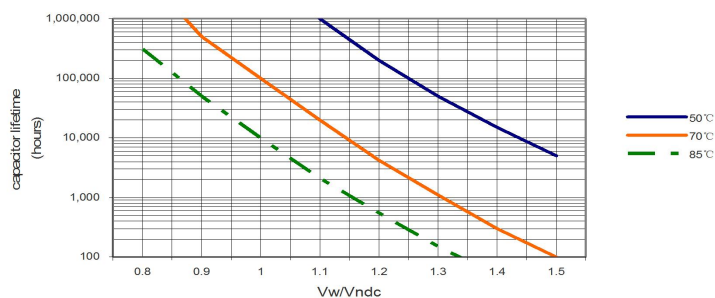


| Case code | D (mm) | Out put | | P1 (mm) | P2 (mm) | φ (mm) |
|-----------|--------|---------|------|---------|---------|--------|
| | | 1 | 2 | | | |
| 1 | 87 | M8*20 | M6*8 | 45±1 | 100 | 5.5 |
| 2 | 115 | M10*20 | M6*8 | 60±1 | 132 | 6.5 |

Electrical specifications, ordering codes: DHF

| Part Number | Capacitance (μF) | Diameter r (mm) | Height † (mm) | LS max. (nH) | du/dt (v/μs) | Irms max. (A) | ESR (mΩ) | Rth (k/W) |
|-------------|------------------|-----------------|---------------|--------------|--------------|---------------|----------|-----------|
| Un dc 350V | | | | | | | | |
| DHF350K220 | 220 | 87 | 50 | 30 | 22 | 90 | 0.9 | 5.9 |
| Un dc 500V | | | | | | | | |
| DHF500K125 | 125 | 87 | 40 | 25 | 37 | 90 | 0.7 | 6.8 |
| DHF500K200 | 200 | 87 | 50 | 32 | 25 | 90 | 0.8 | 5.9 |
| DHF500K275 | 275 | 87 | 64 | 40 | 16 | 85 | 0.9 | 5.0 |
| Un dc 700V | | | | | | | | |
| DHF700K100 | 100 | 87 | 40 | 25 | 48 | 90 | 0.6 | 6.8 |
| DHF700K150 | 150 | 87 | 50 | 32 | 32 | 90 | 0.7 | 5.9 |
| DHF700K220 | 220 | 87 | 64 | 40 | 21 | 85 | 0.9 | 5.0 |
| Un dc 900V | | | | | | | | |
| DHF900K68 | 68 | 87 | 40 | 25 | 56 | 80 | 0.8 | 6.8 |
| DHF900K100 | 100 | 87 | 50 | 32 | 37 | 80 | 0.9 | 5.9 |
| DHF900K140 | 140 | 87 | 64 | 40 | 25 | 75 | 1.2 | 5.0 |
| Un dc 1100V | | | | | | | | |
| DHF1100K47 | 47 | 87 | 40 | 25 | 73 | 75 | 0.9 | 6.8 |
| DHF1100K68 | 68 | 87 | 50 | 32 | 49 | 75 | 1.1 | 5.9 |
| DHF1100K100 | 100 | 87 | 64 | 40 | 33 | 70 | 1.4 | 5.0 |
| Un dc 1200V | | | | | | | | |
| DHF1200K25 | 25 | 87 | 40 | 25 | 90 | 60 | 1.2 | 6.8 |
| DHF1200K35 | 35 | 87 | 50 | 32 | 70 | 60 | 1.5 | 5.9 |
| DHF1200K50 | 50 | 87 | 64 | 40 | 50 | 55 | 2.0 | 5.0 |
| Un dc 1500V | | | | | | | | |
| DHF1500K18 | 18 | 87 | 40 | 25 | 113 | 55 | 1.2 | 6.8 |
| DHF1500K25 | 25 | 87 | 50 | 32 | 85 | 55 | 1.7 | 5.9 |
| DHF1500K35 | 35 | 87 | 64 | 40 | 60 | 50 | 2.2 | 5.0 |
| Un dc 1800V | | | | | | | | |
| DHF1800K10 | 10 | 87 | 40 | 25 | 175 | 50 | 1.5 | 6.8 |
| DHF1800K15 | 15 | 87 | 50 | 32 | 120 | 50 | 2.0 | 5.9 |
| DHF1800K22 | 22 | 87 | 64 | 40 | 80 | 45 | 2.5 | 5.0 |
| Un dc 2200V | | | | | | | | |
| DHF2200K6.8 | 6.8 | 87 | 40 | 25 | 200 | 50 | 1.7 | 6.8 |
| DHF2200K10 | 10 | 87 | 50 | 32 | 150 | 50 | 2.3 | 5.9 |
| DHF2200K15 | 15 | 87 | 64 | 40 | 100 | 45 | 2.9 | 5.0 |

LIFETIME EXPECTANCY vs HOT SPOT TEMPERATURE AND VOLTAGE



Vv : permanent working or operating DC-voltage

part Numbering System : DHF 900 -300-M6" = style "A B C D"

How to Order:

